

Designed for CoBot  
Lift up to 20 times its weight!

# SAFE & LIGHT

## FOAM VACUUM GRIPPER

### Europe

17 avenue des Grenots  
91150 ETAMPES - FRANCE

Tél. +33 (0)1 69 92 16 16  
Fax +33 (0)1 64 94 21 35

### USA

2551 HWY 70 SW - HICKORY  
NC-28602

Phone: +1(828) 327 2290  
Fax: +1(828) 327 8678



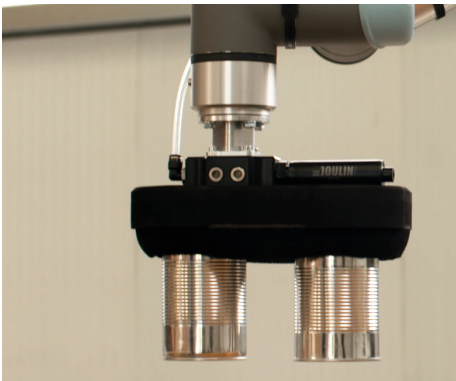
**JOULIN**  
vacuum handling

contact: [grippers@joulin.com](mailto:grippers@joulin.com)

[www.joulin.com](http://www.joulin.com)

# Designed for CoBot

Lift up to 20 times its weight!



## VERSATILE

- Handle all your products without any adjustment from cardboard boxes, to slip sheets, cans, wood boards, shrink wrapped packs and many other types
- Valves technology available for constant gripping power regardless of the type of product
- Including new magnetic system EasyFoam for quick and easy foam replacement
- Rugged and not affected by dust

## COMPACT

- Naturally adapted for collaborative application with the foam body
- Extremely resistant for high duties with his carbon fibre structure
- Available with internal or external vacuum generation

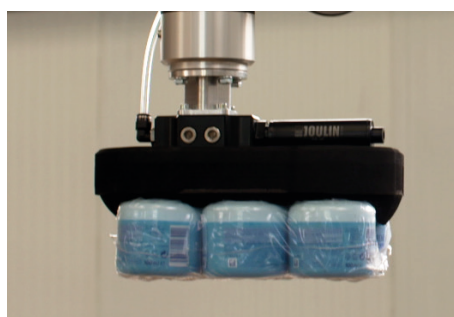
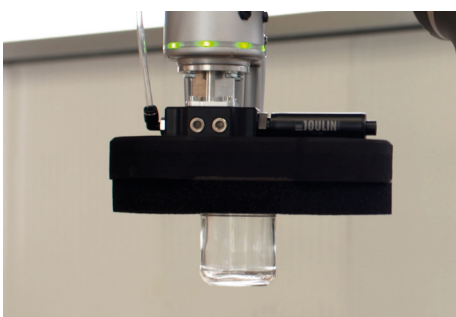
## EASY TO INSTALL

- Robot fixing kit available for popular robots as well as specific needs on request (option)
- Valve kit for venturi available for a "Plug and Play" solution (option)

## TECHNICAL DATA

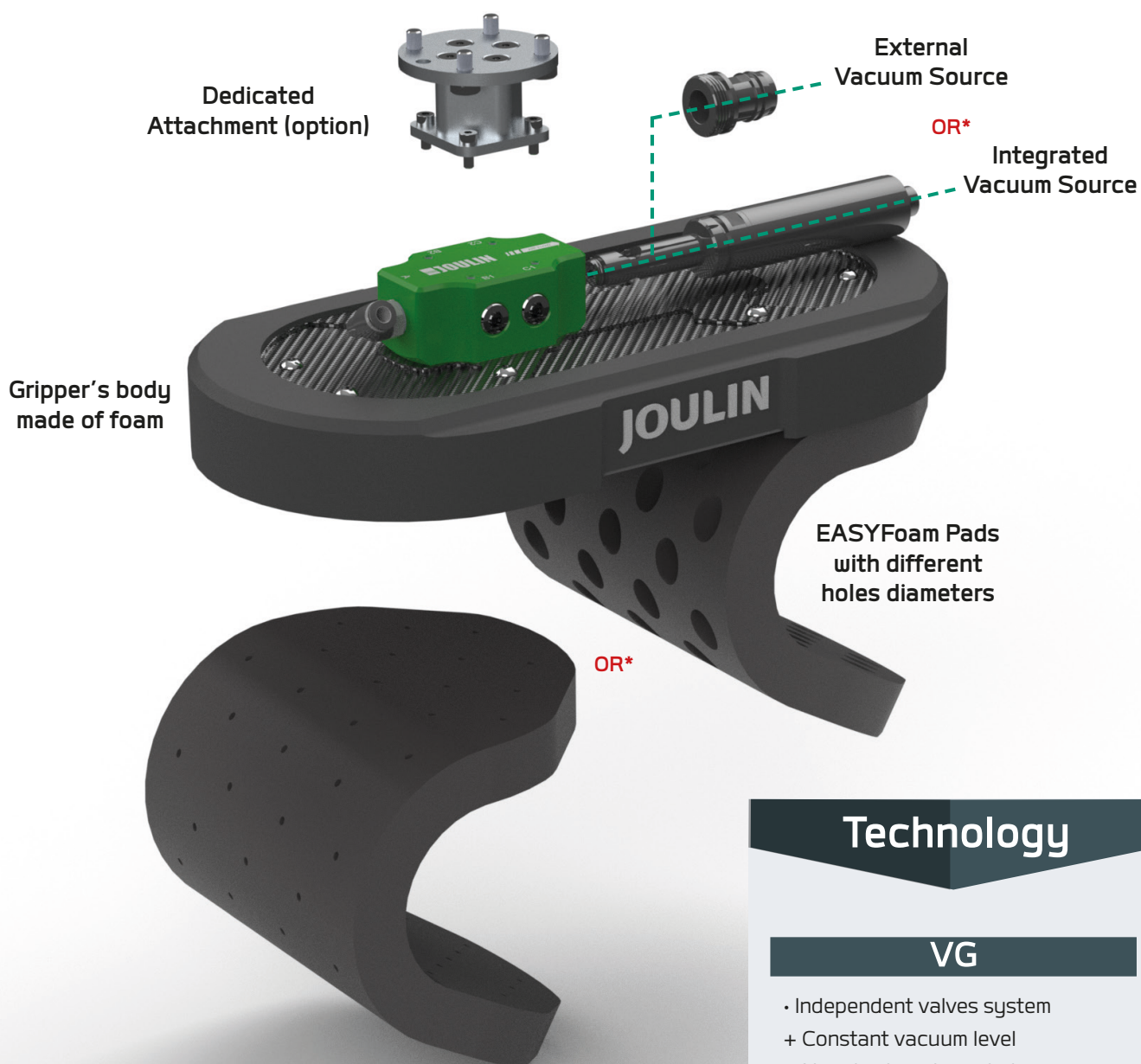
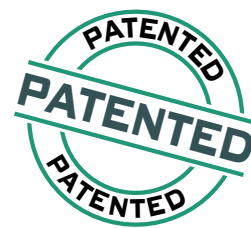
Reference	Maximal Dimension mm	Mass g - (lbs)	Air Consumption NI/sec (scfm) @ 6bar - 87 psi	Max Flow NI/sec (scfm)	Lifting Capacity <sup>1</sup> - kg (lbs)
SL-PG-120x240-1STH	130x250x82	720 (1.6)	3.58 (7.59)	4.48 (9.5)	30 (66)
SL-VG-120x240-1STH	130x250x90	770 (1.7)	3.58 (7.59)	4.48 (9.5)	30 (66)
SL-PG-160x320-1STH	170x330x82	1015 (2.2)	3.58 (7.59)	4.48 (9.5)	59 (129.8)
SL-VG-160x320-1STH	170x330x90	1080 (2.4)	3.58 (7.59)	4.48 (9.5)	59 (129.8)

<sup>1</sup>. information could change depending on your picked products  
We would be happy to test your products in our show-rooms.



# Total foam body

Safe to work around operators



## Technology

### VG

- Independent valves system
- + Constant vacuum level
- + No adjustment needed

### PG

- Calibrated holes system
- + Economical solution
- + Picking upside down

**Our grippers are protected by several exclusive brands and patents**

\* Depending on your products to handle and your process

# Ready to use!

With accessories to fit your needs



## LABELLING

**SL -VG -120x240 -1STH**

**Range of the gripper**

- SL  
Safe&Light

**Dimensions**

- 120x240mm  
- 160x320mm

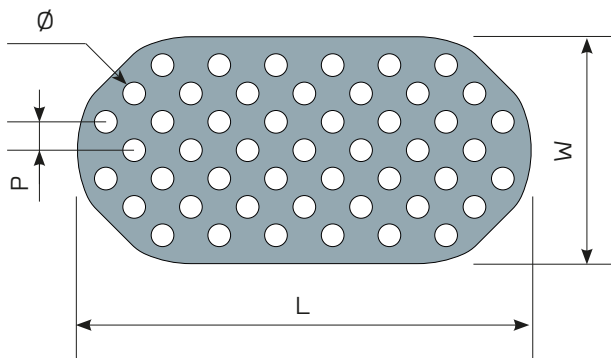
**Integrated vacuum source**

- 1STH  
1 stage high flow  
- HB  
Hose barb

**Technology**

- PG  
Port Gripper  
- VG  
Valve Gripper

## FOAMS



- **New magnetic system EASYFoam**
- **Fast and easy removal of foam from the gripper**
- **Can be removed/replaced** an unlimited number of times
- **No adhesive** to remove at foam change
- **Quick delivery**

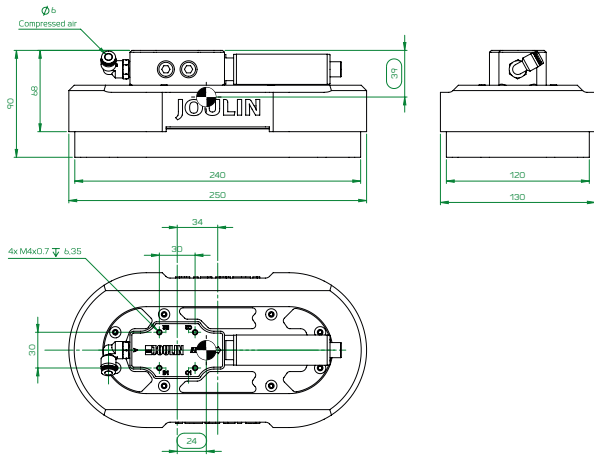
Reference	Width (W) - mm	Length (L) - mm	Thickness - mm	Pitch (P)	Holes Diameter (Ø)
SLF.120.240.24.US.49.3*	120	240	24	15	3
SLF.120.240.24.US.49.12	120	240	24	15	12
SLF.160.320.24.US.49.3	160	320	24	20	3
SLF.160.320.24.US.49.16	160	320	24	20	16

\* Holes Ø3mm are designed for hollow products (option)

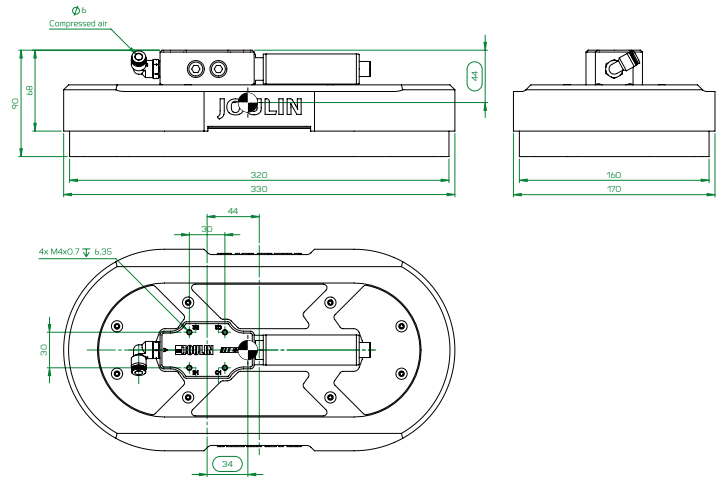


## INTEGRATION

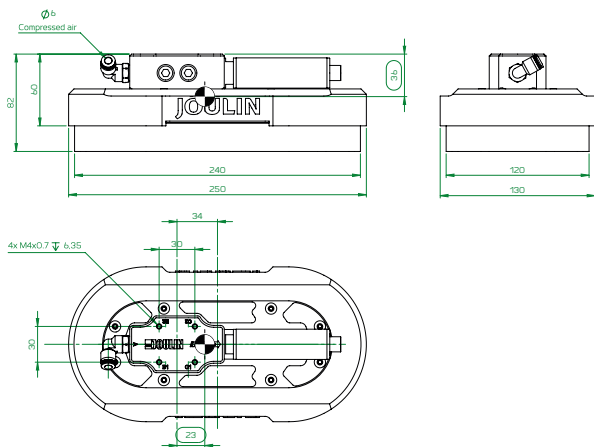
### SL-VG-120x240-1STH



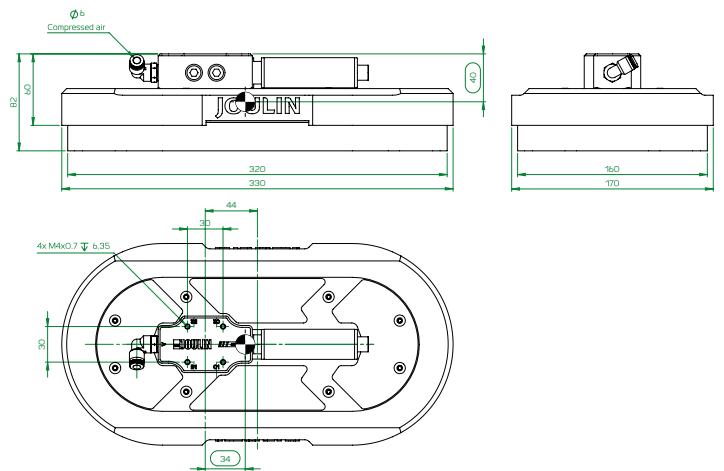
### SL-VG-160x320-1STH



### SL-PG-120x240-1STH



### SL-PG-160x320-1STH



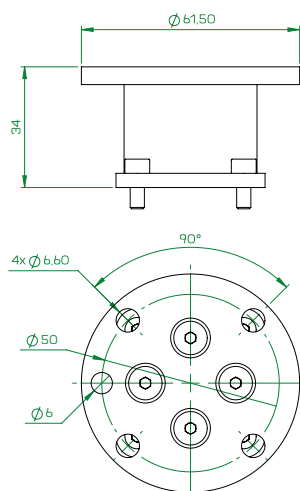
## ADAPTATION - OPTIONS

### FIXTURE 4M6-D50

- With 4xM6 for Ø50mm
- ISO 9409-1-50-4-M6
- Compatible with UR and Omron

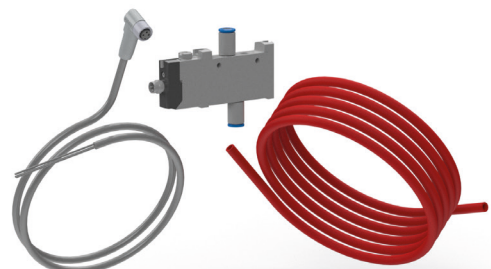


Mass 125g



### VALVE KIT FOR VENTURI

- Valve with Ø6mm fittings
- Includes M8 connecting cable
- 3m of pneumatic tubing Ø6mm





## USA

2551 Hwy 70 SW - HICKORY  
NC-28602

Phone : **+(1) 828 327 2290**

Fax : **+(1) 828 327 8678**

## France

17 avenue des Grenots  
F-91150 ETAMPES

Tél. **+33 (0)1 69 92 16 16**

Fax **+33 (0)1 64 94 21 35**



**JOULIN**  
vacuum handling

contact : [grippers@joulin.com](mailto:grippers@joulin.com)

[www.joulin.com](http://www.joulin.com)