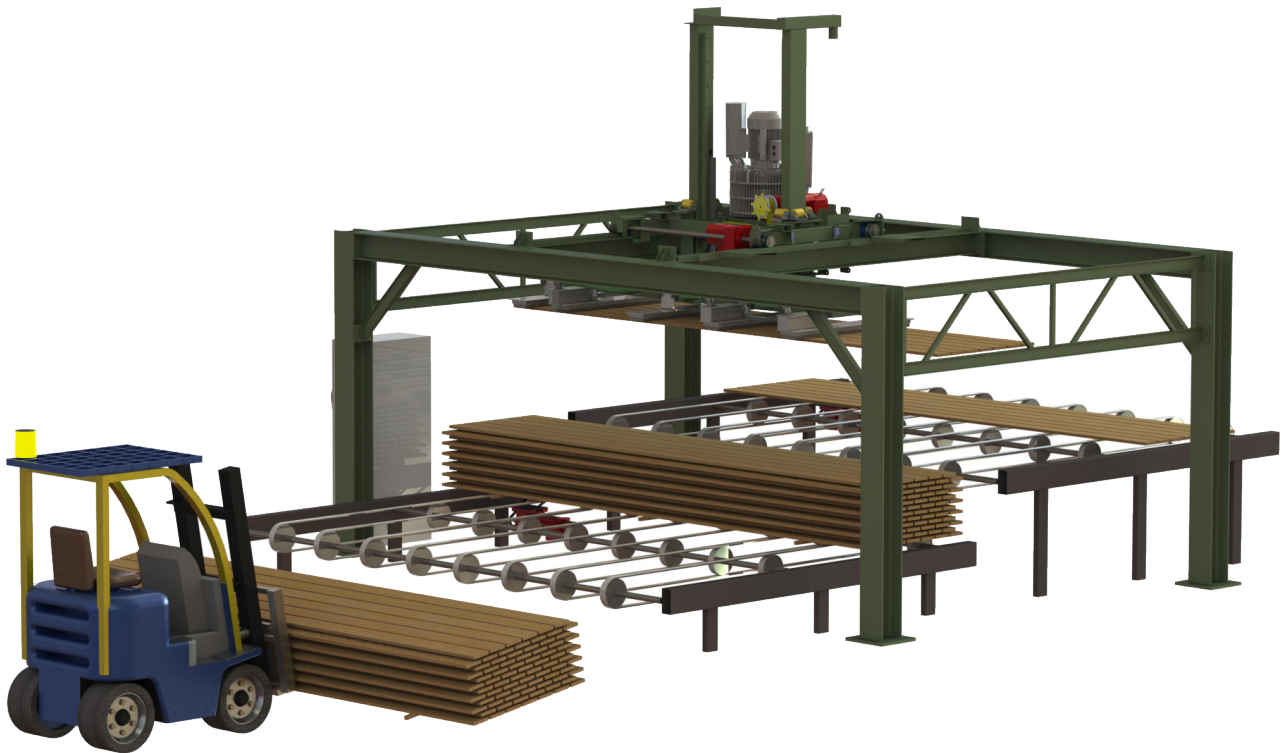




JOULIN



Scope of supplies for Lumber Industries

Family owned, **JOULIN** invented the foam vacuum gripper over 50 years ago; we continue to pioneer advances in vacuum technology today.

From grippers to complete turnkey vacuum handling systems, **JOULIN** is flexible and offers a quick response to supply the best solution for you.

With manufacturing and design facilities in Europe and the USA, see for yourself why 60 countries and counting trust **JOULIN** for their handling projects.

Europe:

17 avenue des Grenots
F-91150 ETAMPES
Phone: +33 (0)1 69 92 16 16
Fax: +33 (0)1 64 94 21 35



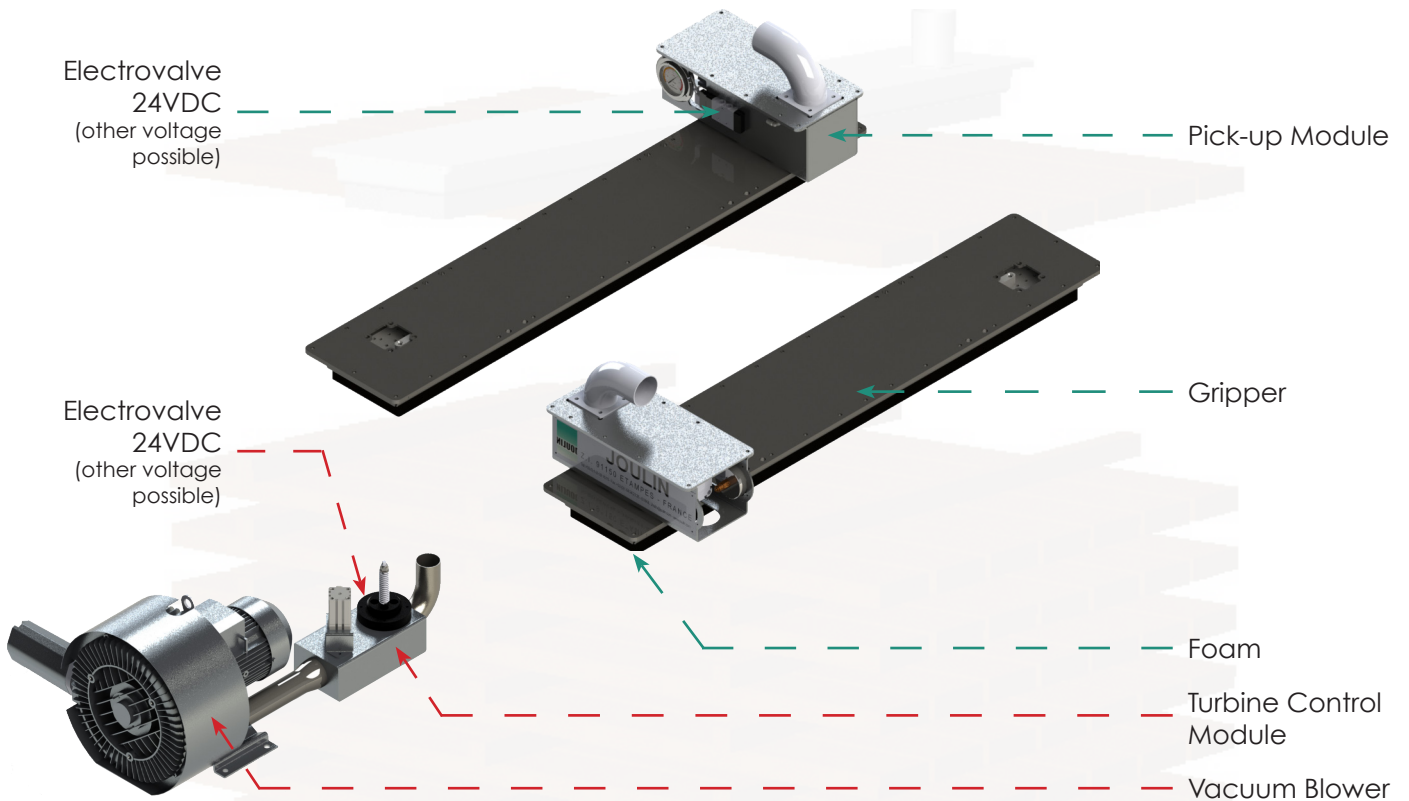
USA:

2551 Hwy 70 SW
HICKORY - NC 28602
Phone: +(001)828 327 2290
Fax: +(001)828 327 8678

<http://www.joulin.com>
E-mail: grippers@joulin.com

First Possibility

grippers



Available Options :

- PG version available (metered port)
- Flow Reverser for quick release (light products such as slip sheets)
- Blow off (light products such as slip sheets)
- Venturi (ejectors)
- Patented Foam Valve to pick up all open top containers , jars, glass, etc...

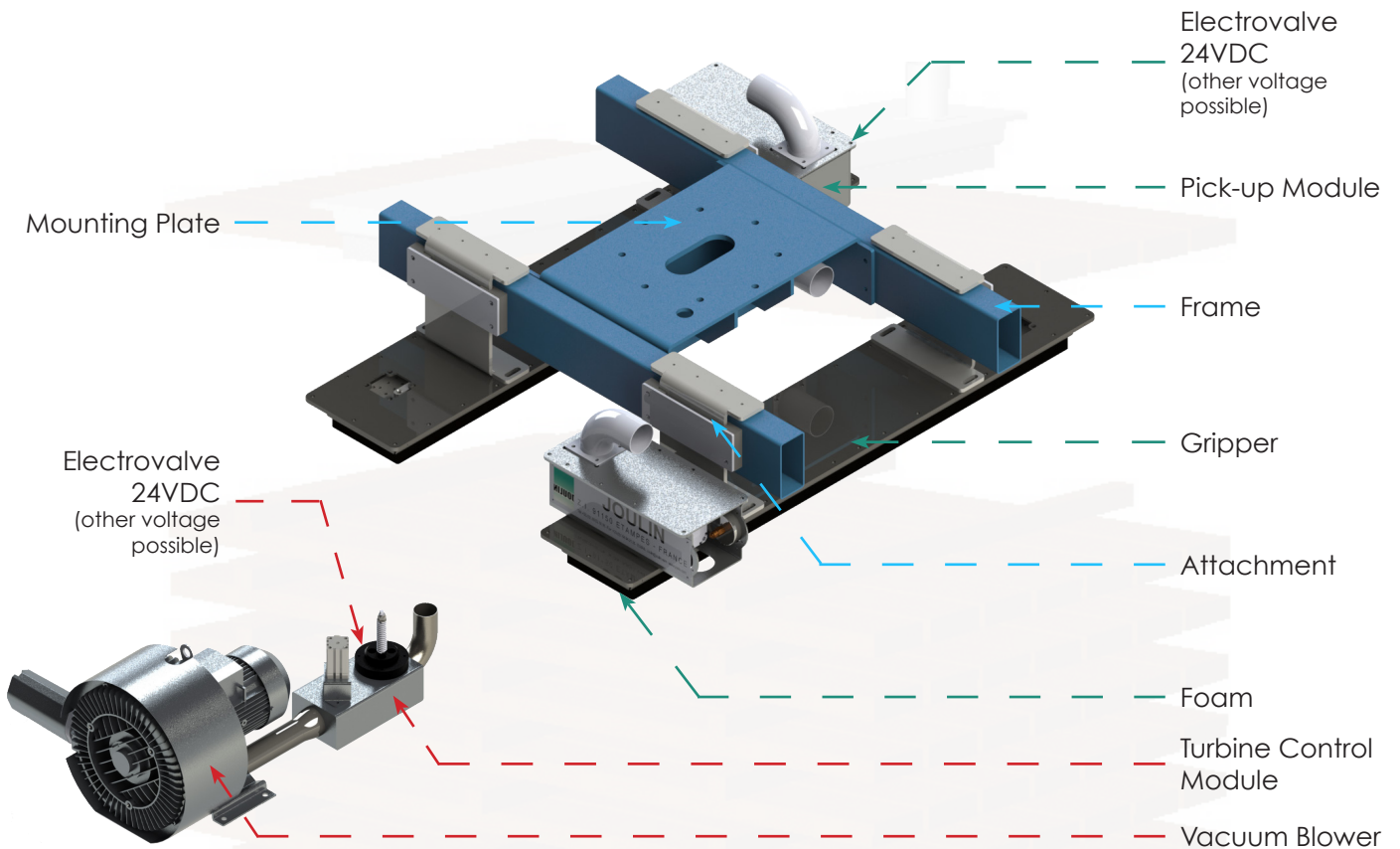
Our Grippers include :

- PowerGrip
- Wave System
- GripTech



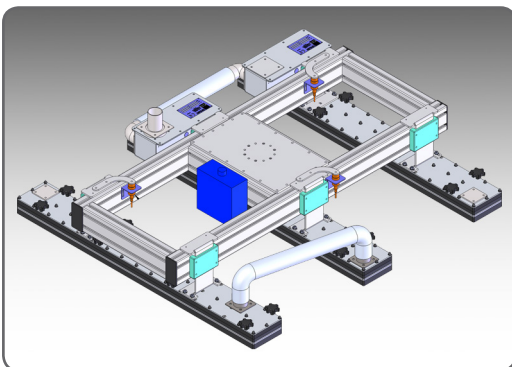
Second Possibility

grippers & frame



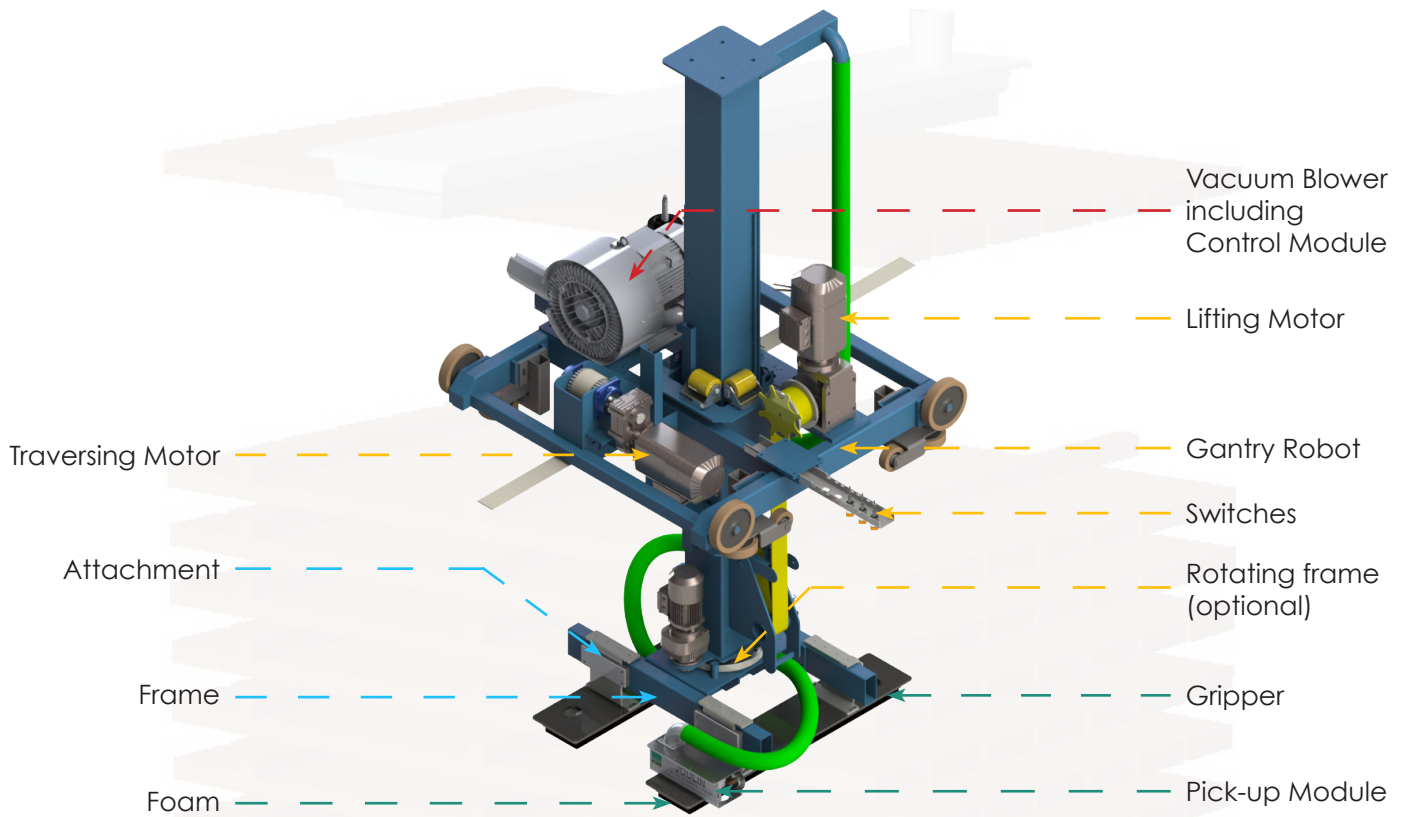
Available Options :

- Steel or aluminum
- Single to multiple grippers
- Different models of attachments : for robot or lifter
- Electrical switches and valves connected to a junction box
- Fieldbus
- Manual or powered horizontal adjustment of the gripper position



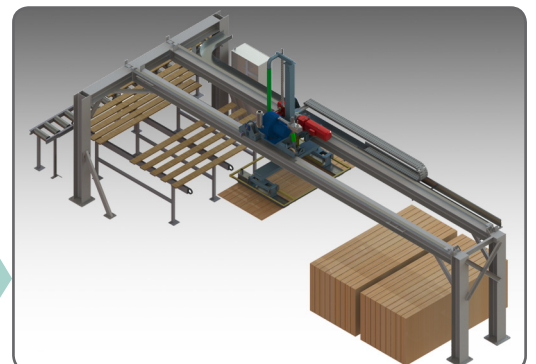
Third Possibility

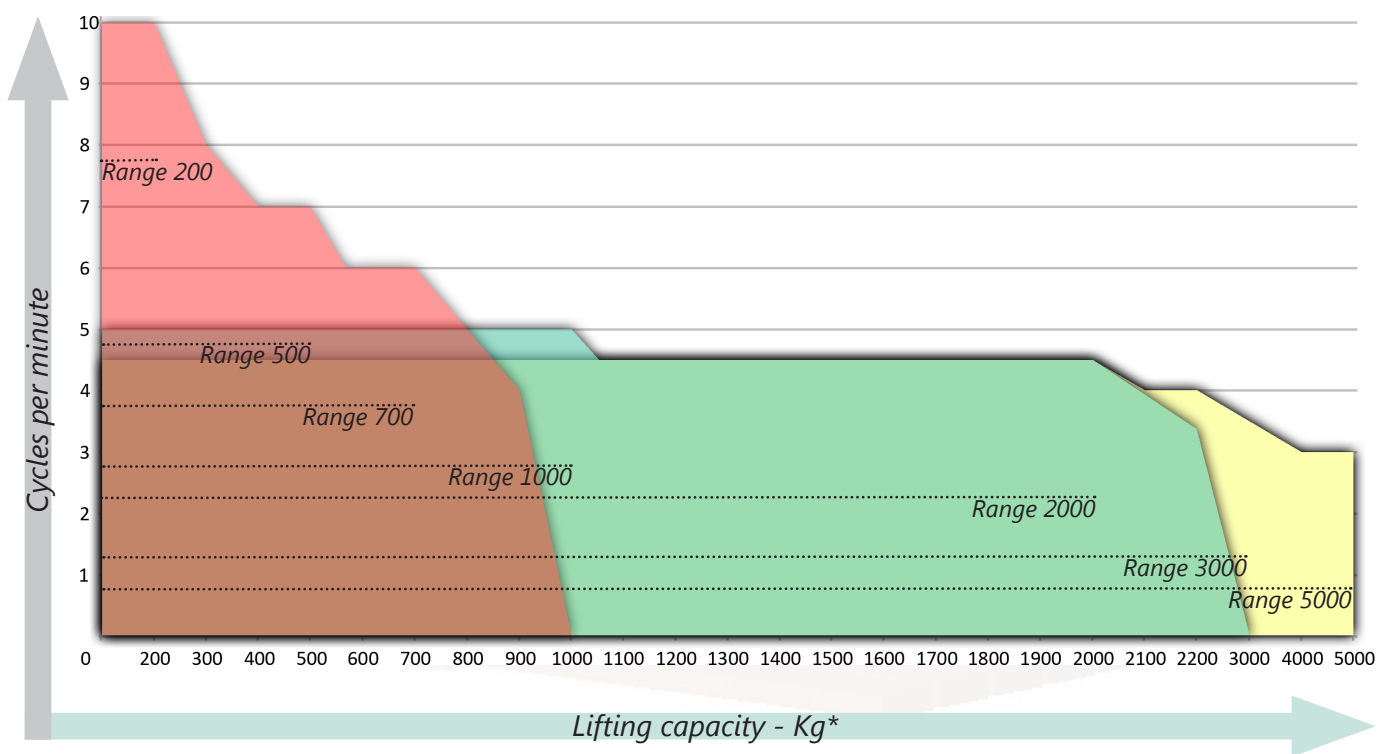
gantry robot



Available Options :

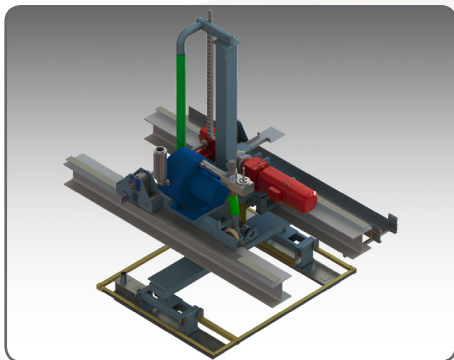
- From standard to special models
- Traversing movement with belt drive for high speed and acceleration
- Electrical switches and valves connected to a junction box
- Fieldbus
- Single to multiple grippers
- Rotation of the grippers
- Telescopic columns (low roof or ceiling)
- Grippers in steel or aluminum



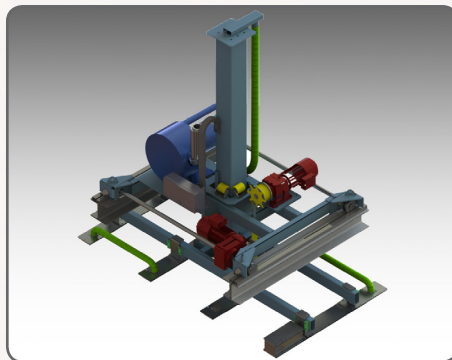


	Range 200	Range 500	Range 700	Range 1000	Range 2000	Range 3000	Range 5000
Maximum capacity Kg (Lbs)*	200 (440)	500 (1100)	700 (1540)	1000 (2200)	2000 (4400)	3000 (6600)	5000 (11000)
Cycle time*	10	7	6	5	4.5	3.5	3

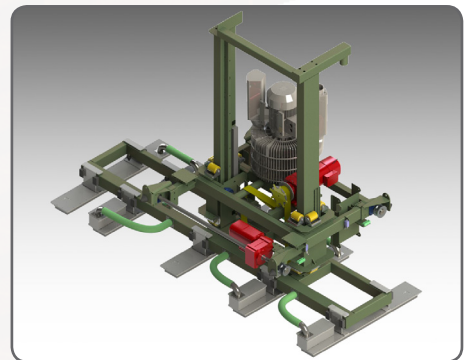
**Varies in relation with strokes and weight
Can be higher depending on lengths and weight of the products



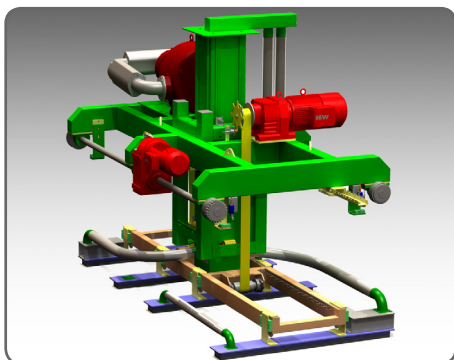
200 TC with 2 grippers



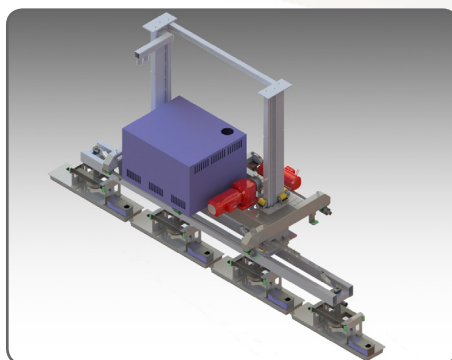
500 TS with 4 grippers



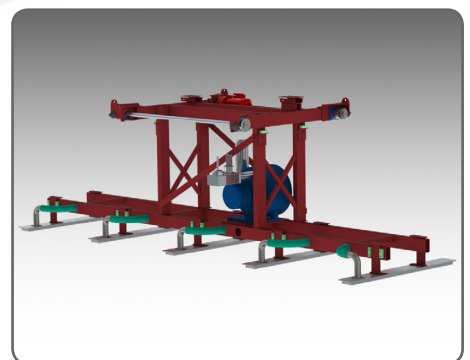
700 TS with 5 grippers



1000 TS with 4 grippers



2000 TS with grippers for single pieces

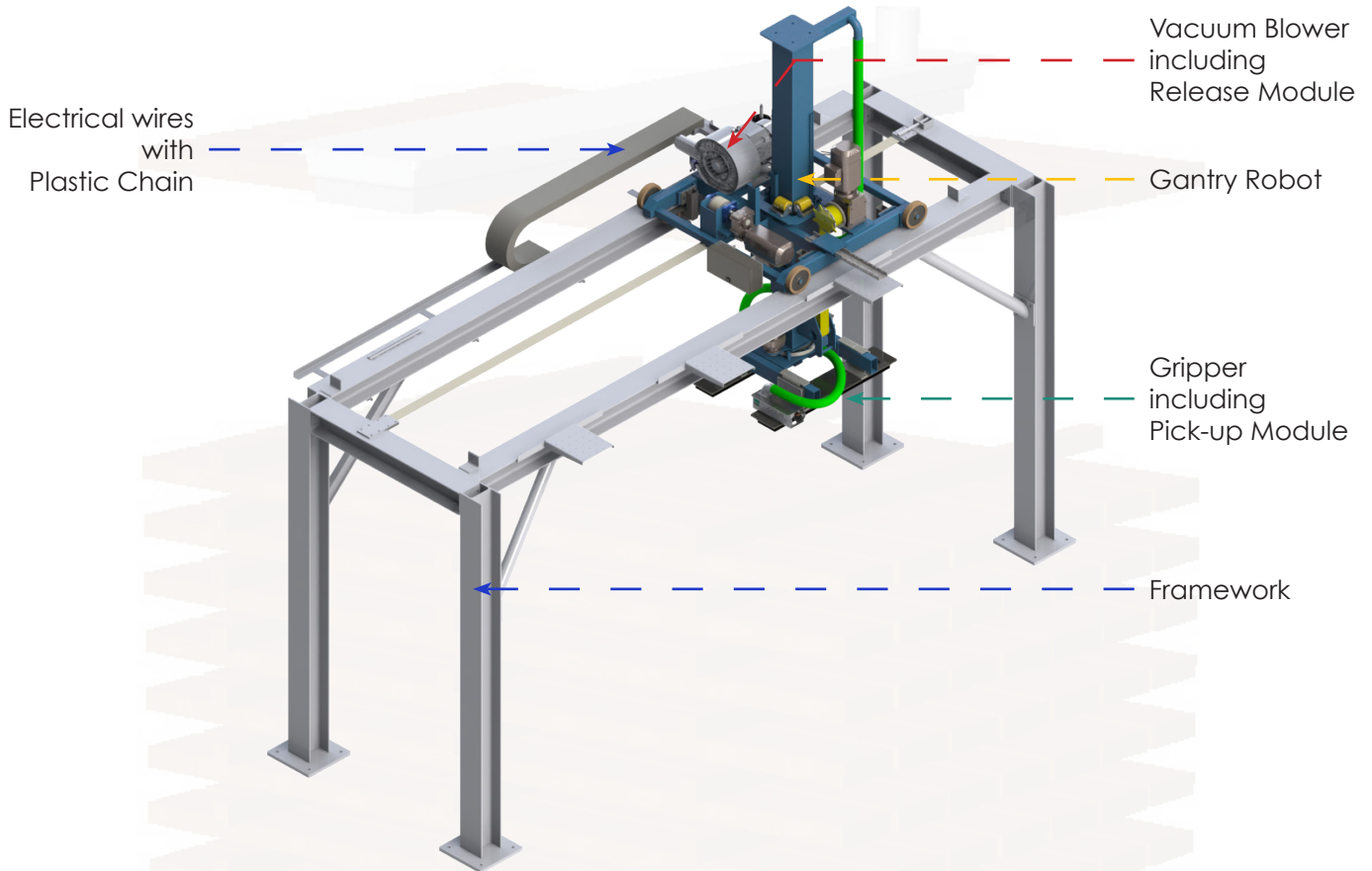


Gantry robot without lifting

Fourth Possibility

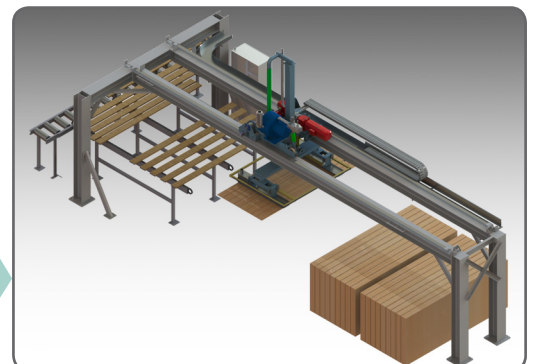
complete gantry robot

A. Without Control Box



Available Options :

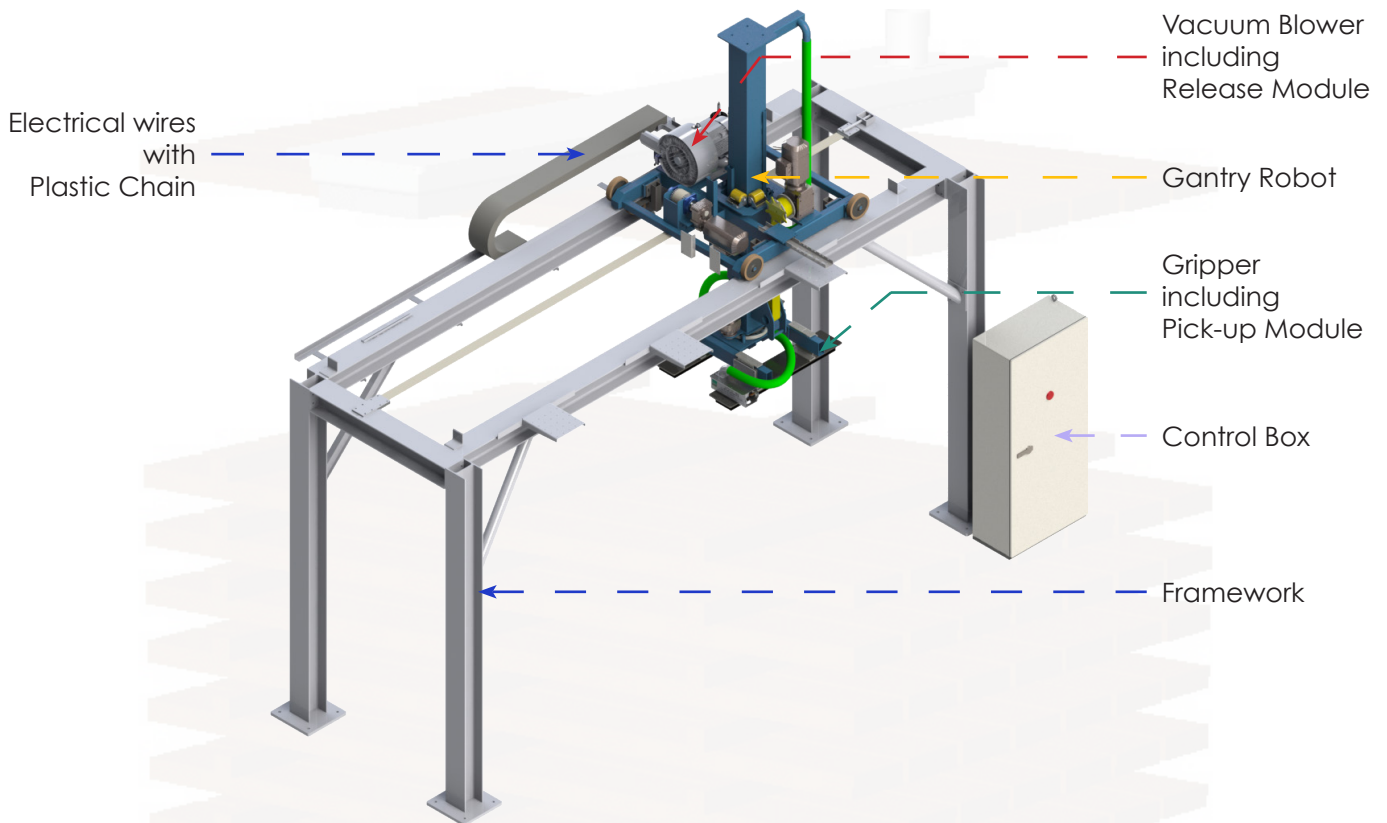
- Fixed or mobile framework
- From standard to special models
- Traversing movement with belt drive for high speed and acceleration
- Electrical switches and valves connected to a junction box
- Fieldbus
- Rotation of the grippers
- Telescopic columns (low roof or ceiling)
- Grippers in steel or aluminum



Fifth Possibility

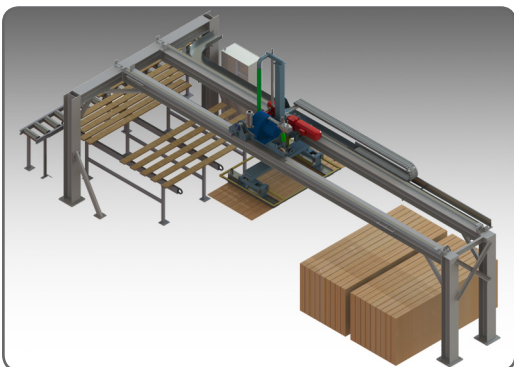
complete gantry robot

B. With Control Box



Available Options :

- Fixed or mobile framework
- Frequency drive with encoders for speed and optimizing movements
- Traversing movement with belt drive for high speed and acceleration
- Rotation of the grippers
- Telescopic columns (low roof or ceiling)
- Grippers in steel or aluminum
- Up to 5 axis
- Smart Control: allows adjustment and vision of all parameters of the lifters
- Radio Control



JOULIN



USA :



Europe :

<http://www.joulin.com>

2551 Hwy 70 West
HICKORY - NC 28602
Phone : +(001)828 327 2290
Fax : +(001)828 327 8678

17 avenue des Grenots
F-91150 ETAMPES
Phone : +33 (0)1 69 92 16 16
Fax : +33 (0)1 64 94 21 35

E-mail : wood@joulin.com

Have a problem handling your products ?

Team Joulin has 50 years of Research and Development in vacuum systems with better solutions, more options, and greater flexibility than ever before.