

WOOD INDUSTRY

# 150T

## Stacker - Destacker



**JOULIN**  
vacuum handling

A brand by Piab Group



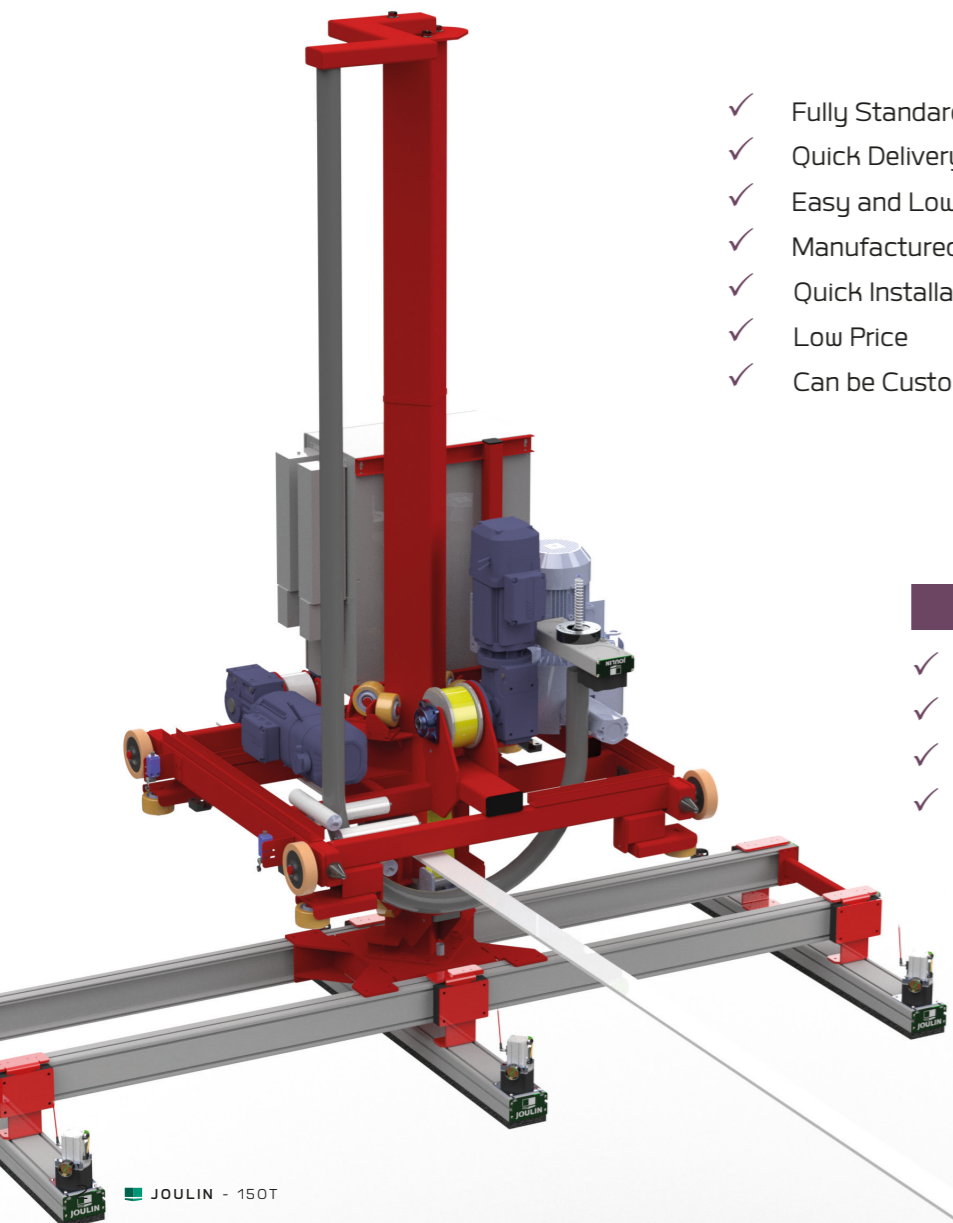
# The only fully standard gantry in the Wood Industry

60 years of Joulin experience with all the latest technologies.

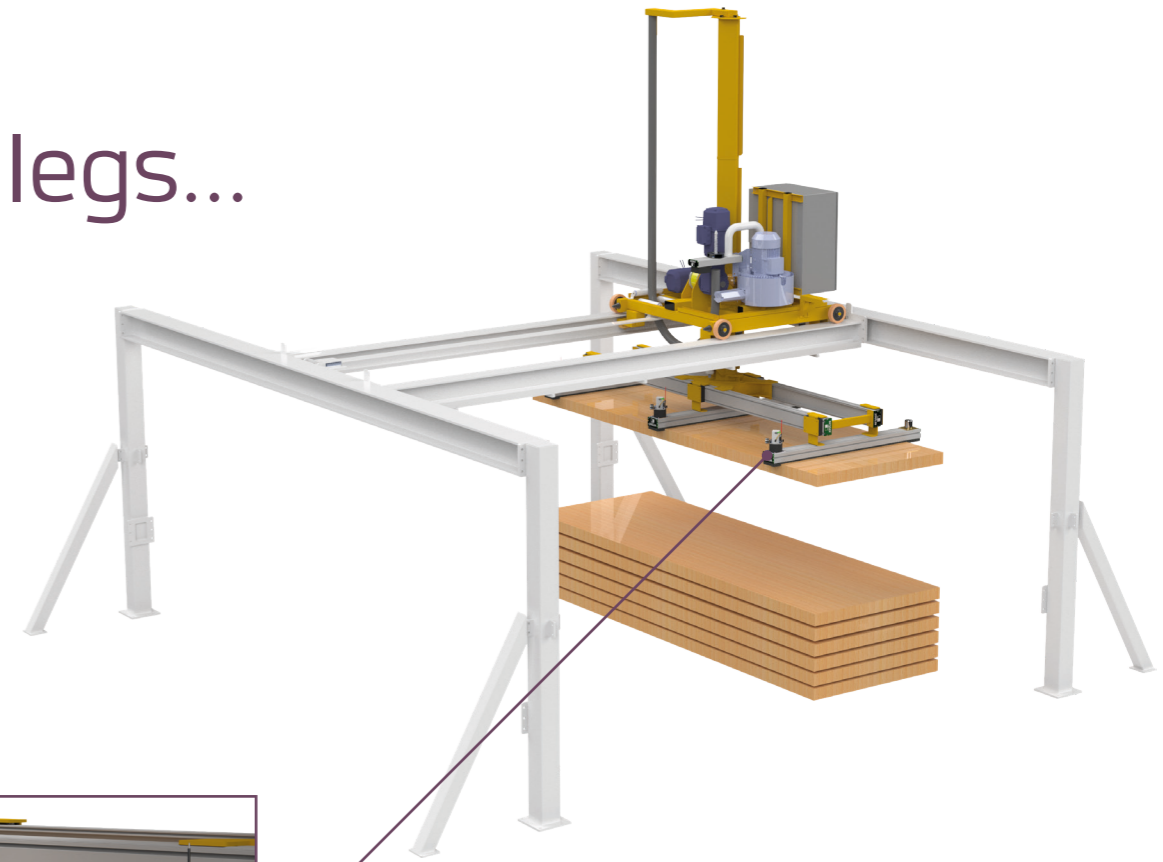
- ✓ Fully Standard
- ✓ Quick Delivery Time
- ✓ Easy and Low Maintenance
- ✓ Manufactured in US
- ✓ Quick Installation
- ✓ Low Price
- ✓ Can be Customized (longer delivery time)

## Benefits

- ✓ Ideal for stacking and destacking function
- ✓ Not sensitive to saw dust
- ✓ Handles without damaging boards or layers
- ✓ All species of wood; green or dry



## Wide legs...



Includes ExtruGrip Vacuum Grippers with Check-Valves

## ...or Narrow legs



## Technical Data

- For layers from 1200 to 5000mm long
- Lifting capacity up to 150 daN
- Up to 4 cycles per minute
- 2 framework lengths: 4 or 6 m
- 2 kind of legs: Wide or Narrow
- Includes 3x ExtruGrip Vacuum Grippers



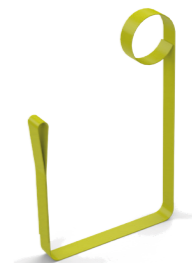
# 150T in detail

## Manufacturing facilities

With offices and manufacturing in France and the USA, we are able to design and manufacture to your specific needs.



**VACUUM GENERATOR**  
Vacuum Blower 4.3 kW



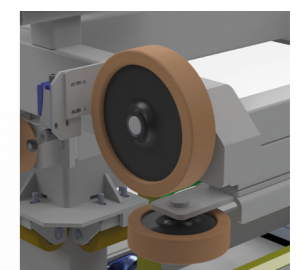
**LIFTING BELT**  
Made with high-strength materials  
High lifting capacities



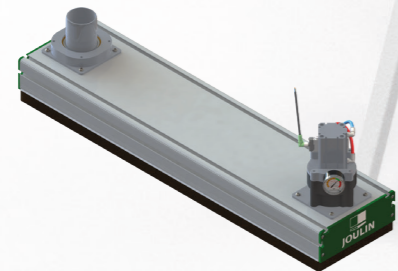
**LIFTING COLUMN**  
One column for strength and rigidity



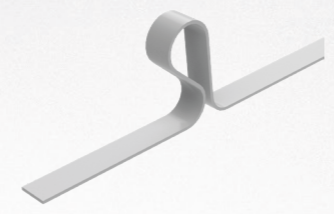
**FRAMEWORK**  
Wide or Narrow Legs as needed for your equipment layout



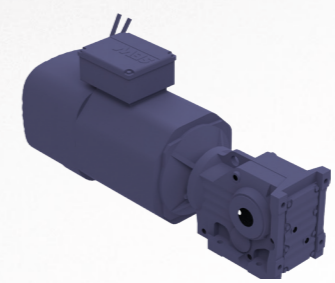
**WHEELS**  
Polyurethane  
High wear resistance  
High dynamic load capacity



**GRIPPERS**  
A complete range of grippers  
ExtruGrip grippers, in aluminum extrusion, are the best to handle all kind of products.  
No filter required in the gripper (less maintenance).

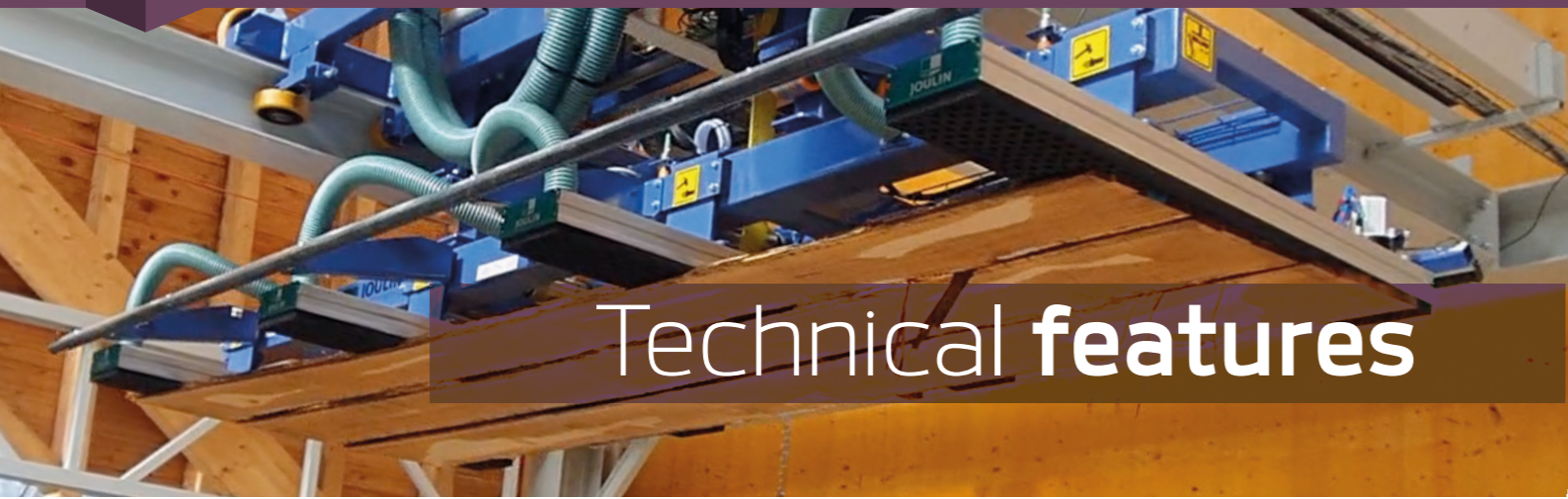


**TRANSMISSION**  
Timing belt technology for high acceleration and speed  
Timing belt with traversing motor on the carriage of the machine.



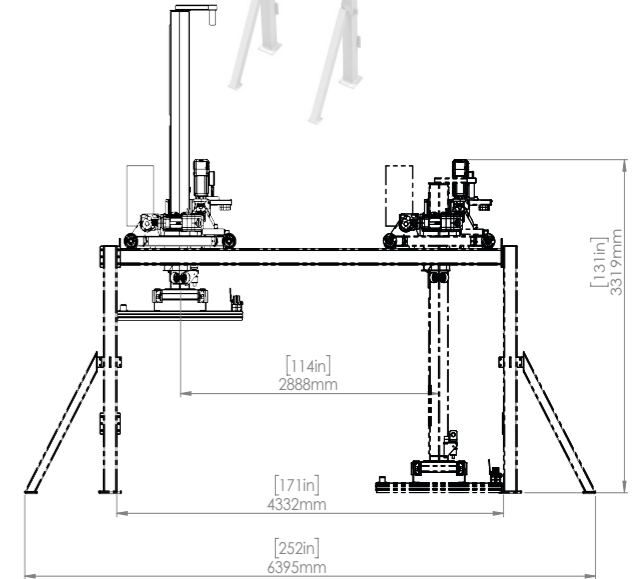
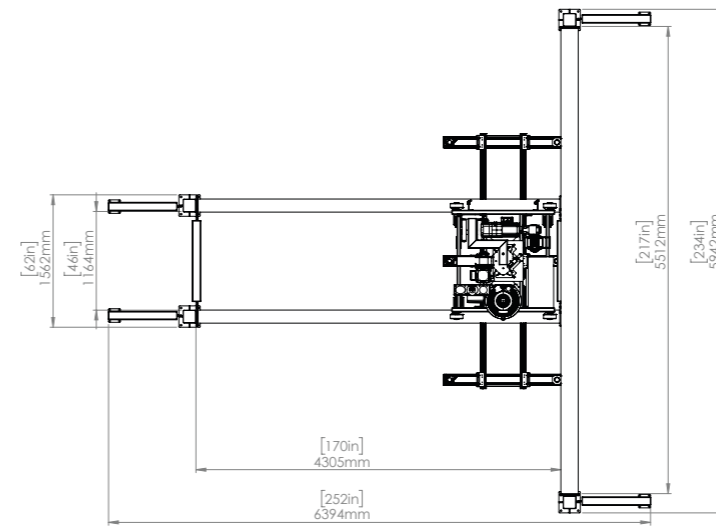
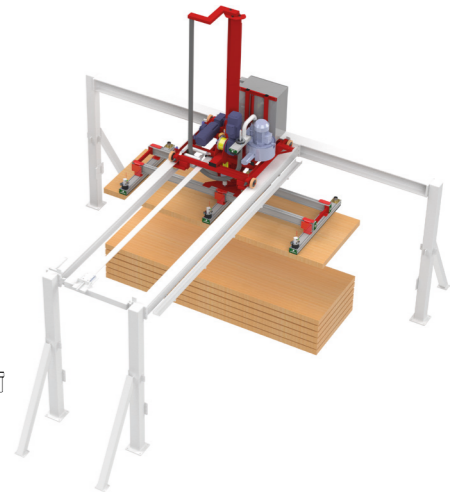
**MOVEMENTS**  
Gearmotor and Servo Controls for Speed and Accuracy of Movements



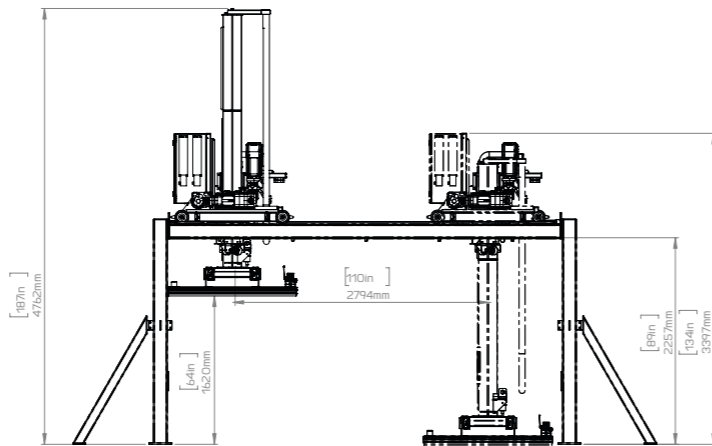
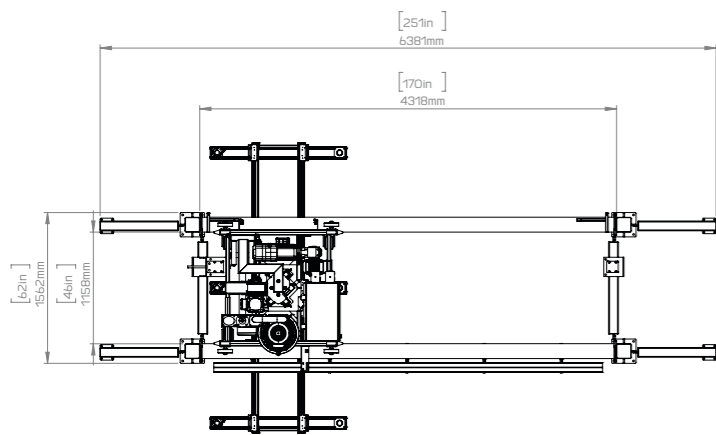
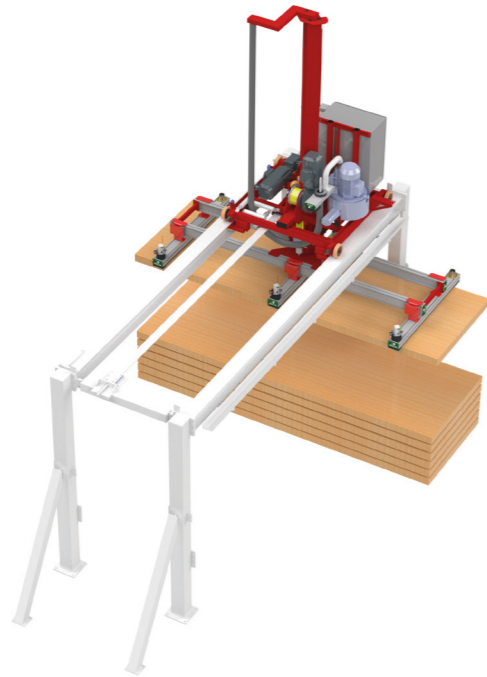


# Technical features

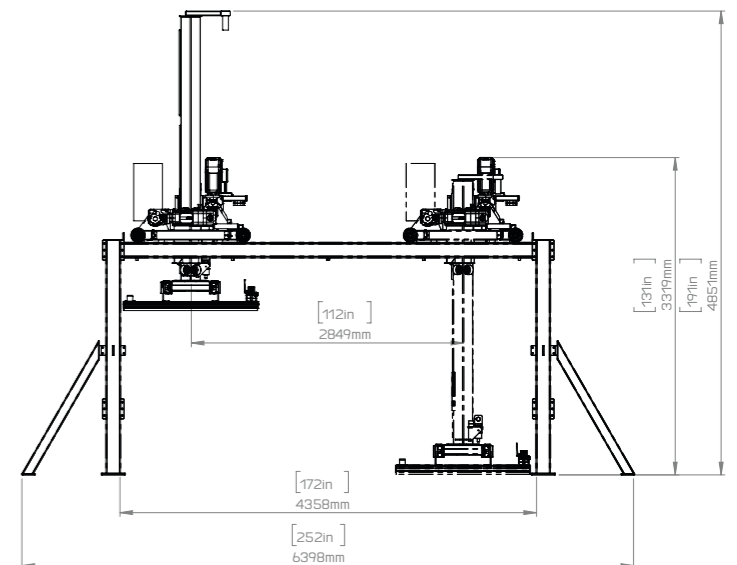
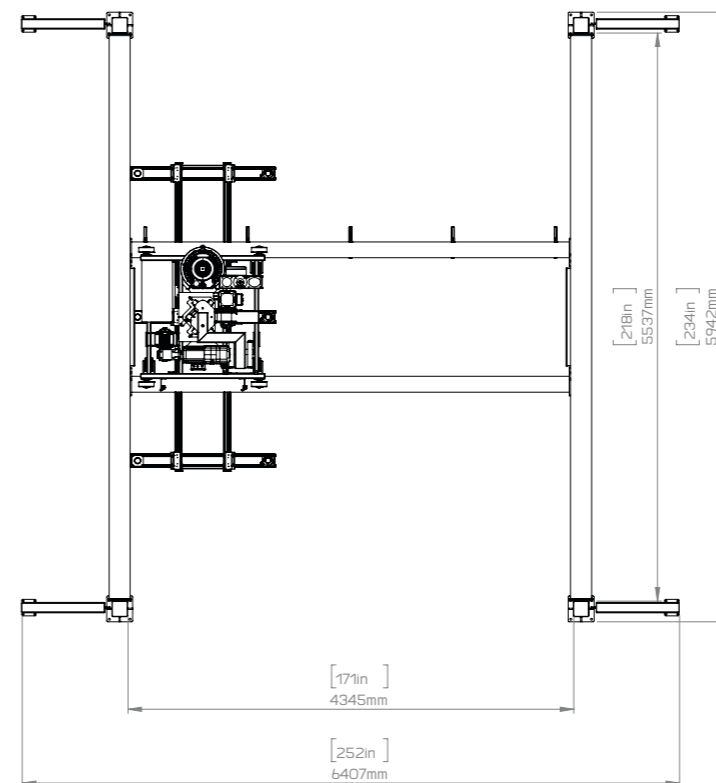
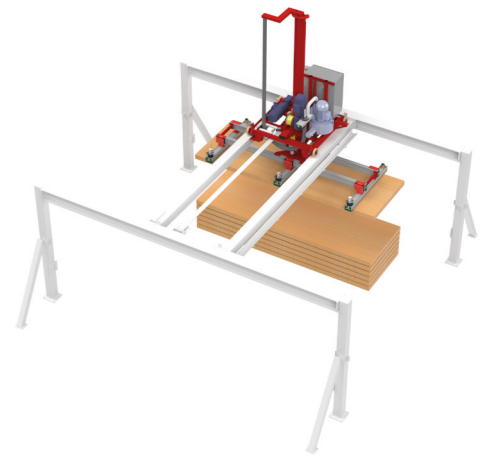
## One Wide Legs



## Narrow Legs



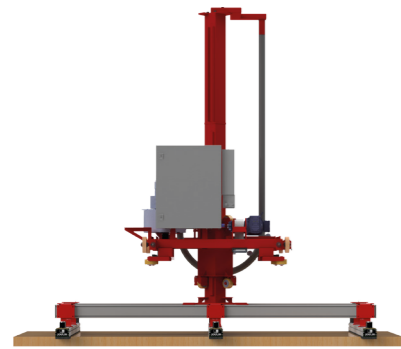
## Two Wide Legs



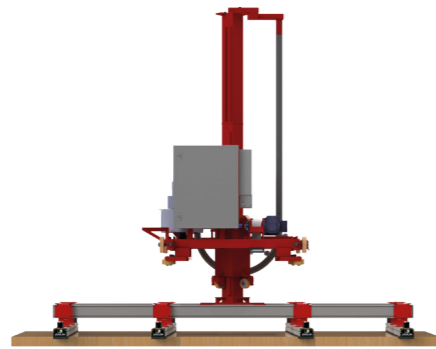
# 60 years of experience !

Proven lumber grippers with gantry systems that **can be used in most projects**.  
60 years of **Joulin experience** with all the **latest technologies**.

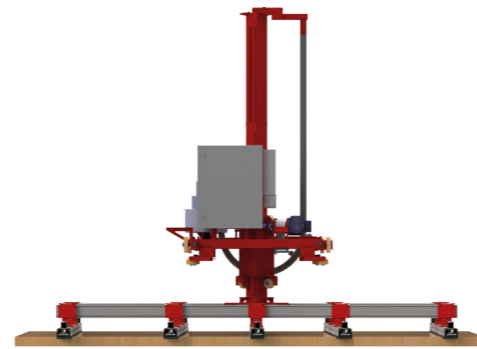
With over 60 years experience, JOULIN offers solutions to **fit your stacking and destacking needs**.  
Custom solutions can be proposed after studying your requirements.



150T with 3 Grippers  
Boards from 1200 to 3000 mm



150T with 4 Grippers  
Boards from 1200 to 4000 mm

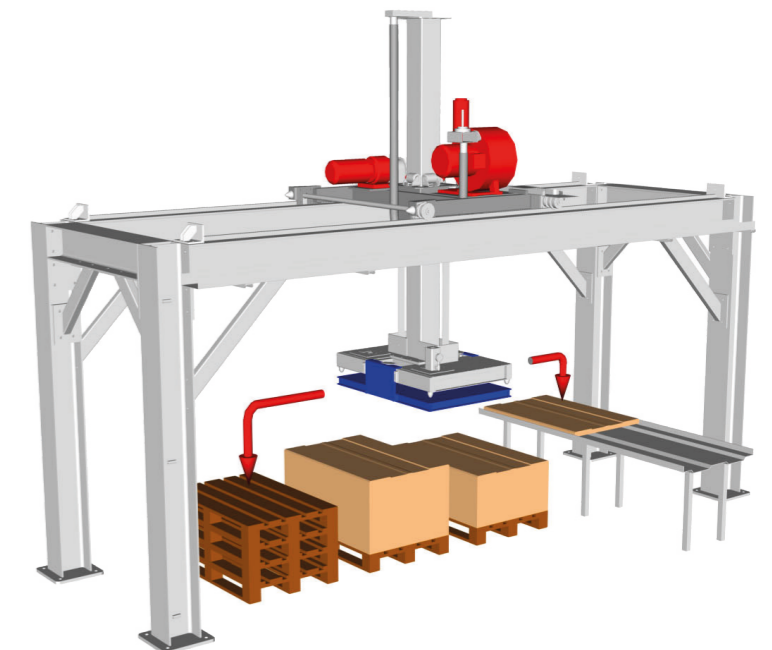
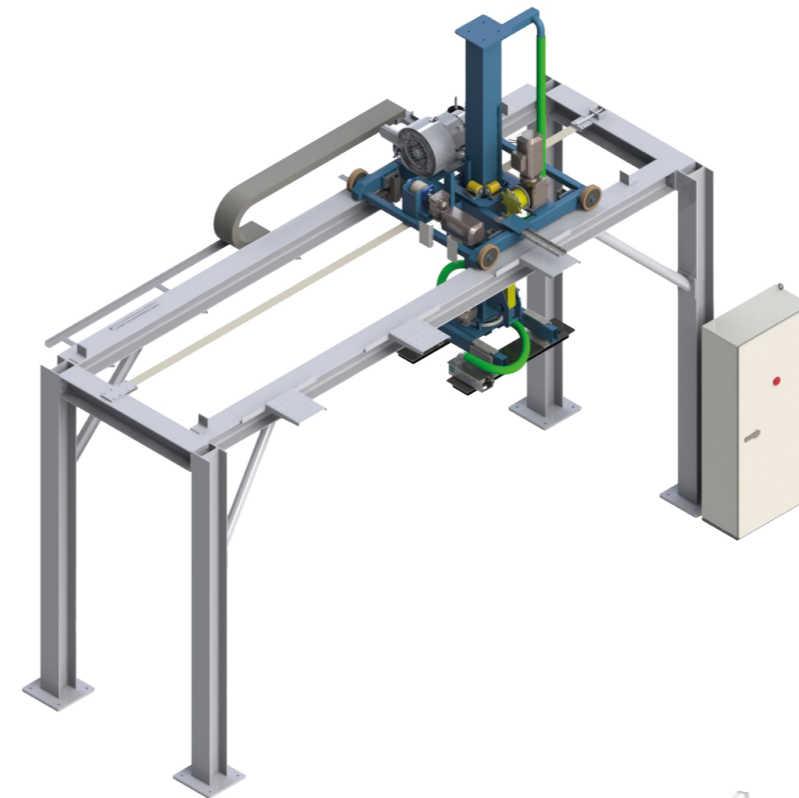
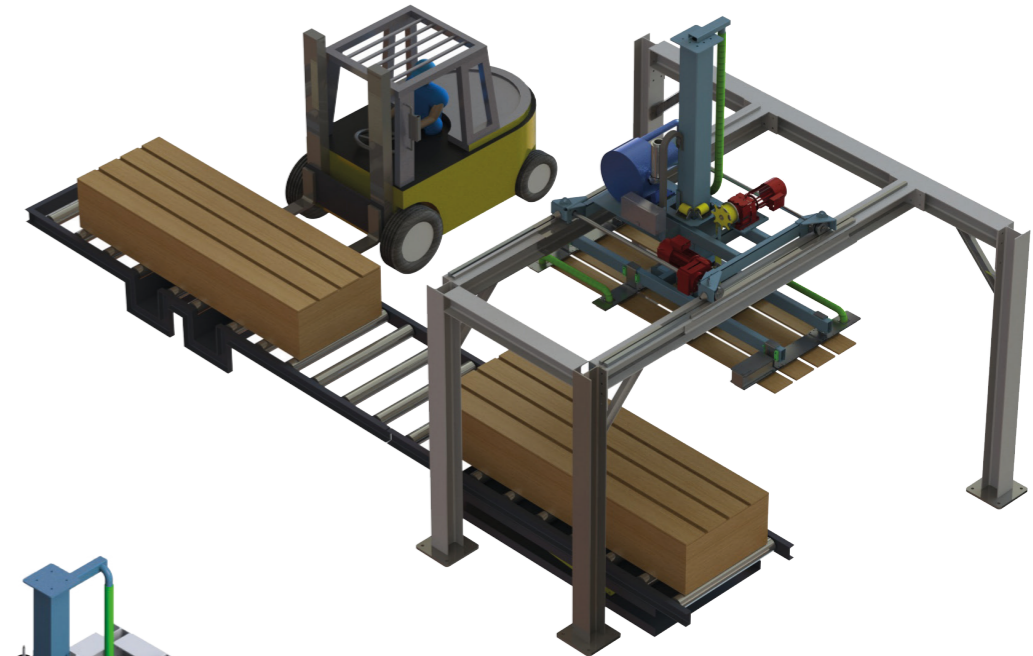


150T with 5 Grippers  
Boards from 1200 to 5000 mm

Standard Configuration			
Framework Length		4m	6m
Frame Legs	2 Narrow	✓	✓
	1 Wide / 1 Narrow	✓	✓
	2 Wide	✓	✓

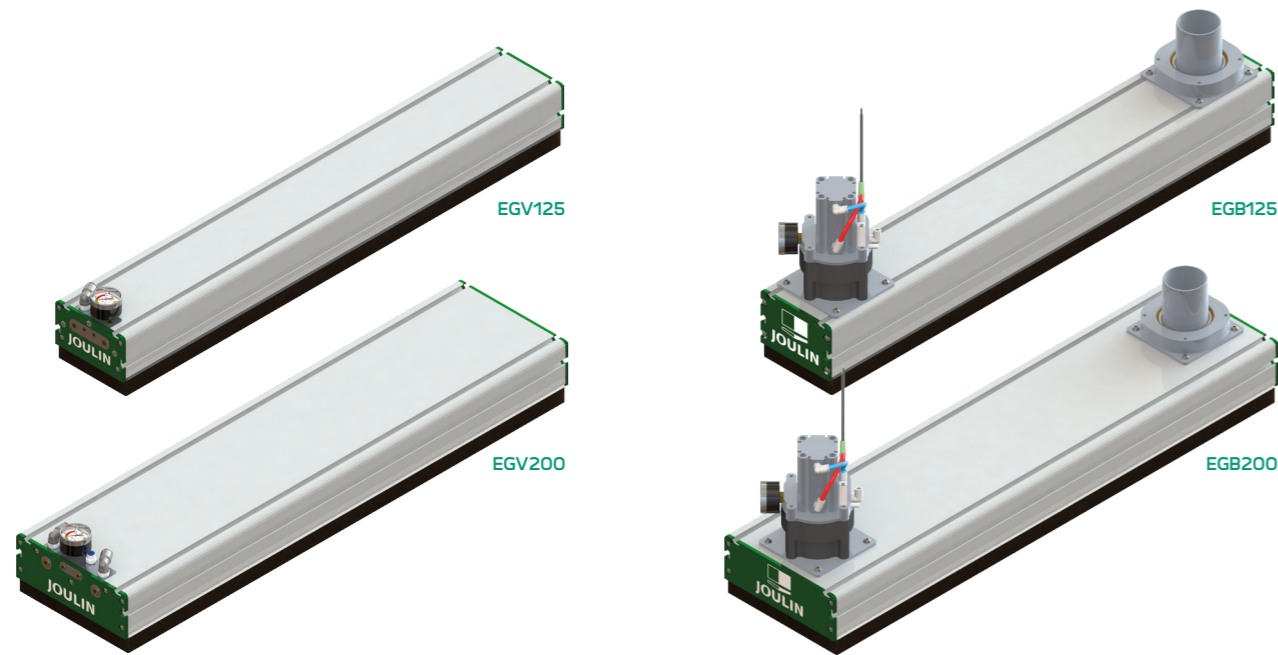


# Examples of installation



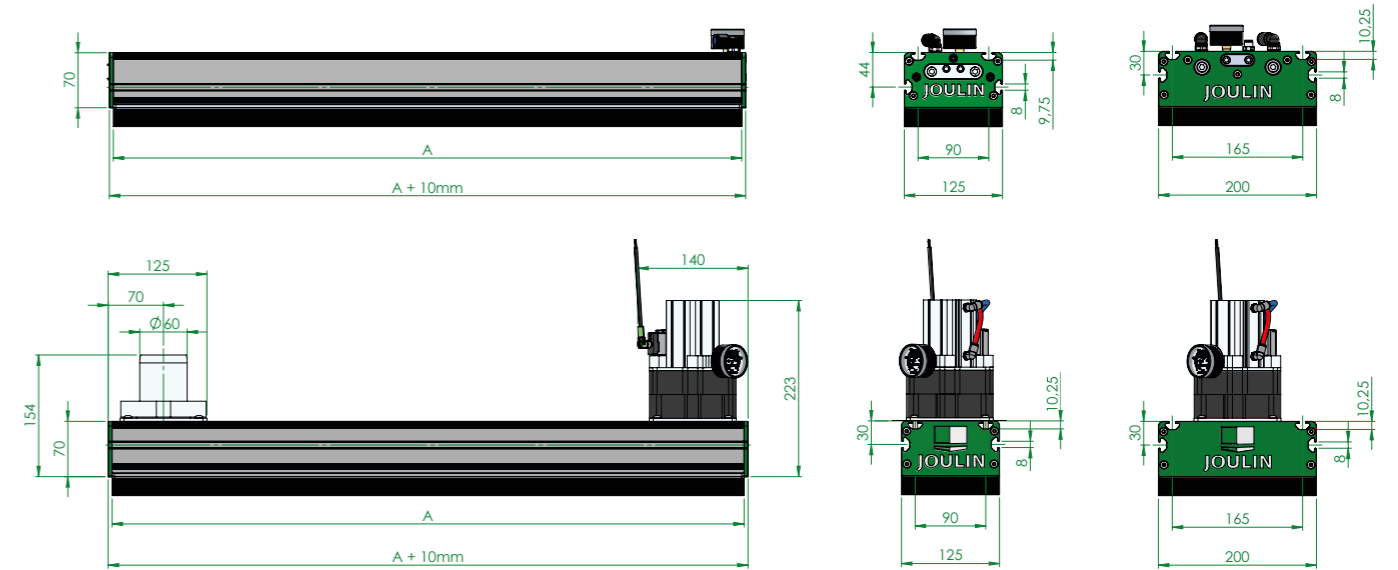


# The foam grippers



## EXTRU GRIP FOAM VACUUM GRIPPER

### INTEGRATING DATA



Length of the foam A (mm)	125mm				200mm			
	EGV Weight (kg)	EGB Weight (kg)	Air Consumption (NI/sec) - EGV		EGV Weight (kg)	EGB Weight (kg)	Air Consumption (NI/sec) - EGV	
			4P15	4P30			8P17.5	8P35
250	2,7	-	3,5	1,75	4,4	-	5,25	3,5
400	3,9	4,3	3,5	1,75	5,9	6,1	7	3,5
600	5,4	5,8	5,25	3,5	8,1	8,3	8,75	5,25
800	6,9	7,3	7	3,5	10,4	10,6	12,25	7
1200	9,9	10,3	8,75	5,25	15,9	14,7	17,5	8,75
1400	11,4	11,8	14	7	17,7	16,9	21	10,5

### CONCEPT

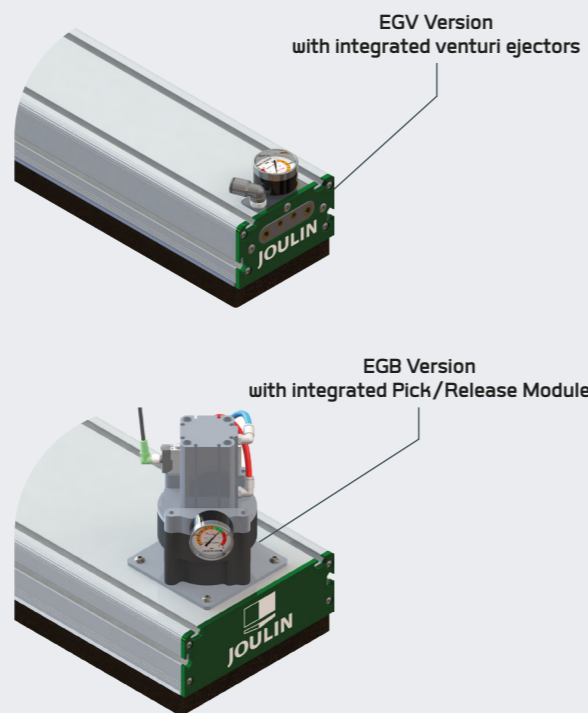
- All Joulin's technology in an aluminum profile
- External vacuum source or internal with venturi ejectors
- Different foam patterns to fit your application
- Easily adaptable on existing equipment
- 30% more efficient and faster than existing grippers

### BENEFITS

- Integrated pick/release module on EGB version
- Modular for picking layers of products
- Adaptable in length up to 3000mm
- Maximum rigidity
- Possibility of partial picking or releasing of products
- Simplified adjustment of options in profile grooves

### EASY TO CUSTOMIZE

- 2 available technologies: check valves or ported holes
- Easy to install by utilizing the grooves
- Lower weight compared to Lumber Gripper (LG)



### LABELLING

#### EGV -VG -125x800 -4P30 -3STX2

**Range of the gripper**  
EGV  
Integrated ejectors

EGB  
External vacuum

**Technology**  
- PG  
Port Gripper  
- VG  
Valve Gripper

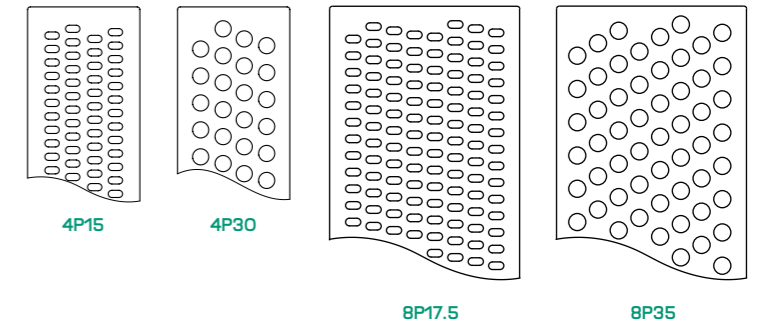
**Standards dimensions**  
- 125 ou 200x250  
- 125 ou 200x400  
- 125 ou 200x600  
- 125 ou 200x800  
- 125 ou 200x1200  
- 125 ou 200x1400

**Custom**  
- 125 ou 200x...

**Pitch**  
- 4P15  
15mm  
- 4P30  
30mm  
- 8P17.5  
17.5mm  
- 8P35  
35mm

**Integrated vacuum source (EGV only)**  
- 2ST  
2 stages  
- 3ST  
3 stages

### FOAM DENSITY





# More gantry robots

## A Standard range

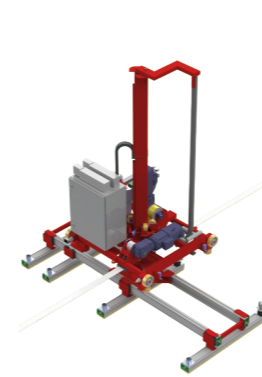
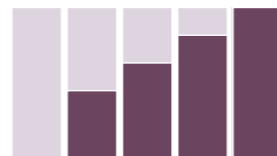
For more than 60 years JOULIN has supplied the wood industries with vacuum lifters.

Our range of standard gantry robots equipped with check valve technology allows you to **pick all products**, partial layers, complete layers, random lengths and widths **without adjustment** using the same grippers.

All the models can be supplied complete turnkey or with different degrees of completion **integrated in your new or existing line**.

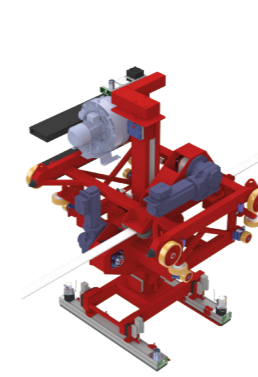
JOULIN offers **5 levels** of equipment from the single gripper to the complete turnkey gantry robot to fit all your needs.

- 1- GRIPPERS
- 2- GRIPPERS AND FRAME
- 3- GANTRY ROBOT
- 4- GANTRY ROBOT + FRAMEWORK
- 5- GANTRY ROBOT WITH CONTROL BOX + FRAMEWORK



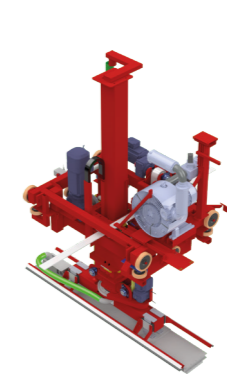
150

Maximum capacity 150 kg  
Up to 4 cycles per minute



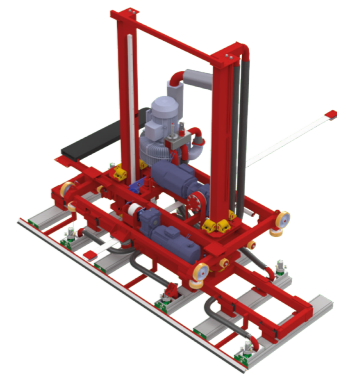
200

Maximum capacity 200 kg  
Up to 10 cycles per minute



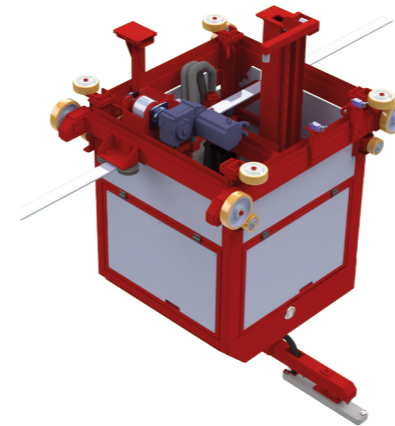
500

Maximum capacity 500 kg  
Up to 7 cycles per minute



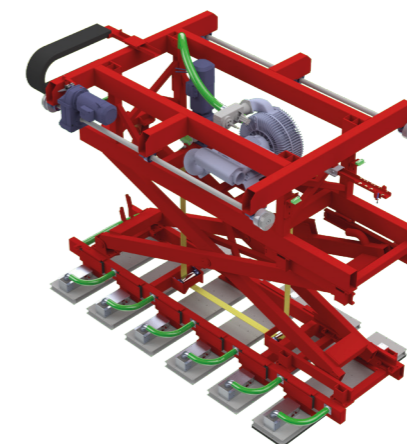
700

Maximum capacity 700 kg  
Up to 6 cycles per minute



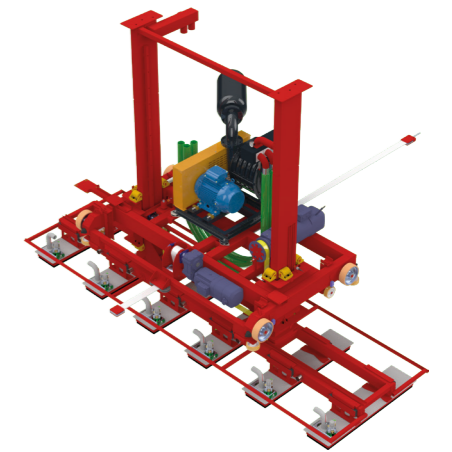
SPEED STACKER

Maximum capacity 600 kg  
Up to 7 cycles per minute



1000 CS

Maximum capacity 1000 kg  
Up to 4,5 cycles per minute



2000

Maximum capacity 2000 kg  
Up to 4,5 cycles per minute



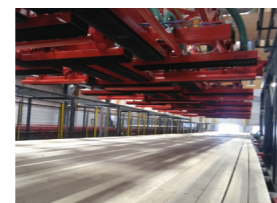
3000

Maximum capacity 3000 kg  
Up to 3,5 cycles per minute



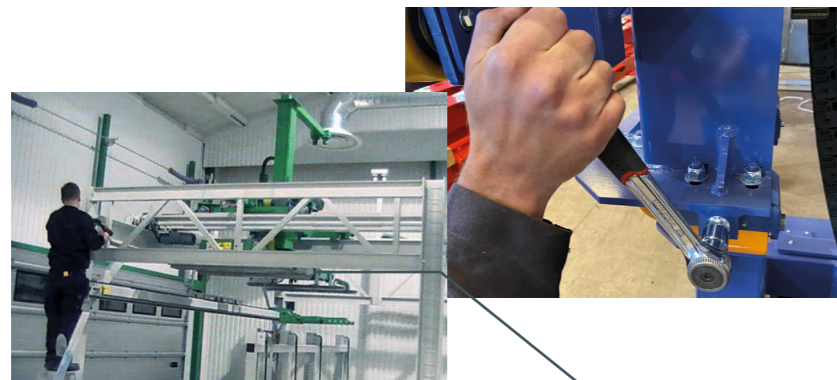
5000

Maximum capacity 5000 kg  
Up to 3 cycles per minute





# Why use our solutions?



## STANDARD AND CUSTOM

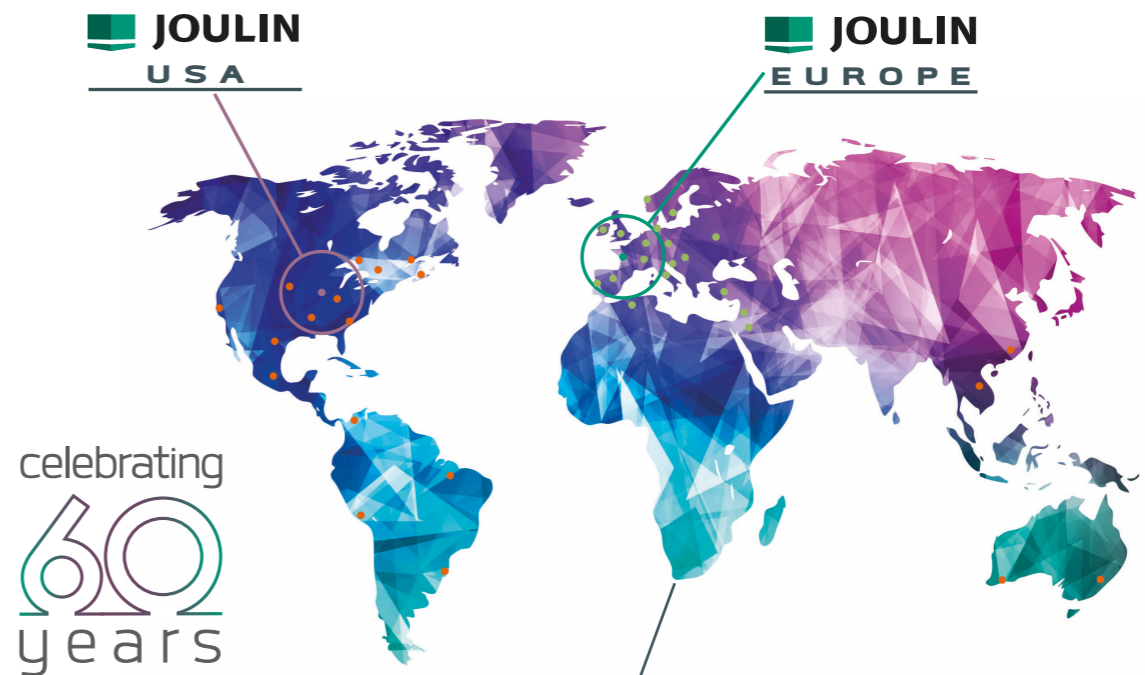
Economical standard range  
Multiple options  
Customization

## RELIABLE PARTNER

Dedicated consulting engineer  
Study and production 100% in-house  
Commercial reactivity and after-sales service

## CONSULTING AND SERVICES

Family owned  
Guaranteed performance  
Customer satisfaction



## PROXIMITY

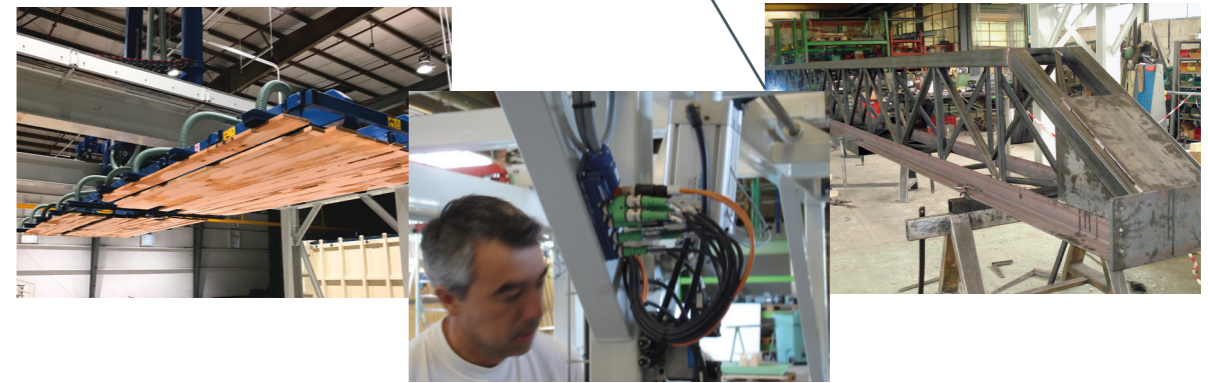
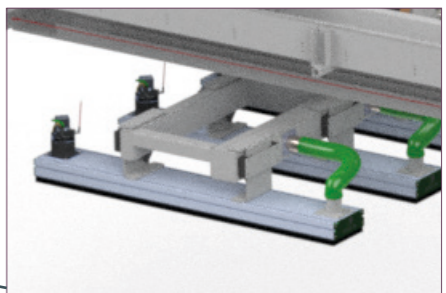
Manufacturing and design facilities in France and the USA  
Supplied on 5 continents

## TECHNOLOGY

Inventor of the Foam Gripper  
Patented  
Grippers not sensitive to dust; **50% energy saving** compared to competitors

## EXPERIENCE

More than **60 years of experience**  
**Worldwide** references







## USA

2551 Hwy 70 SW - HICKORY  
NC-28602

Phone : **+(1) 828 327 2290**  
Fax : **+(1) 828 327 8678**

## France

17 avenue des Grenots  
F-91150 ETAMPES

Tél. **+33 (0)1 69 92 16 16**  
Fax **+33 (0)1 64 94 21 35**



**JOULIN**  
vacuum handling

A brand by Piab Group

contact : [wood@joulin.com](mailto:wood@joulin.com)

[www.joulin.com](http://www.joulin.com)